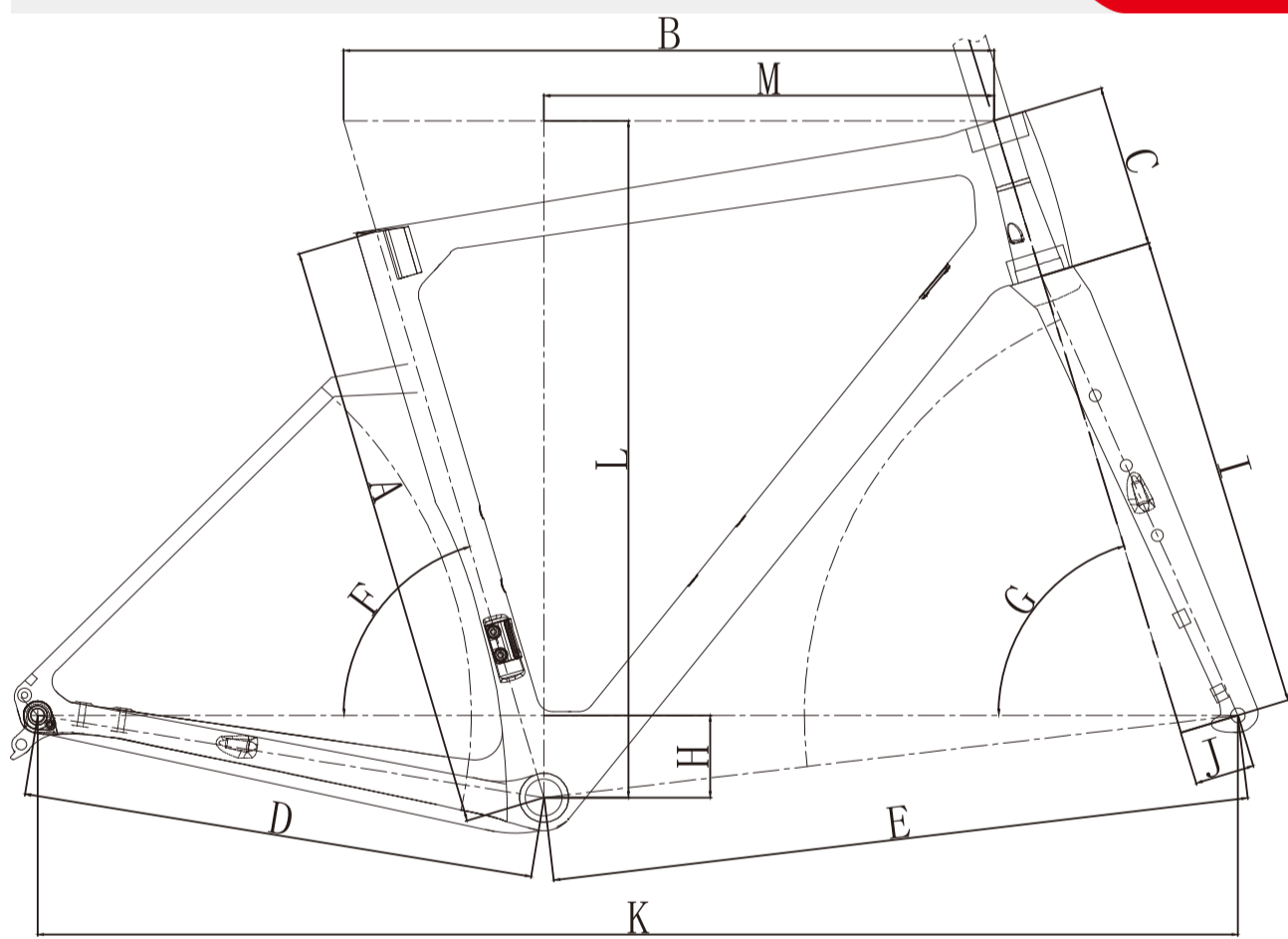




GRAVEL SERIES

CR059

Material: Carbon fiber T1000
 Size: 490/520/540/560/590mm
 Head Tube: 1-1/8" to 1-1/2"
 Bottom Bracket: BB86
 Brake Type: Flat Mount
 Tire: 700*45C
 Thru Axle:
 F/12*100mm, R/12*142mm
 Weight: Frame 950g(54cm)
 Fork 420g, SP 190g
 Laden Weight: 115KG
 Gravel Handlebar
 Stem: 90/100/110/120mm
 Handle: 500/520/540mm
 Weight: 355g



Size	490	520	540	560	590
A	460	490	510	530	560
B	520	535	545	560	580
C	110	120	136	155	180
D	430	430	430	430	430
E	584.3	585.6	585.7	600.7	609.8
F	74.5	74	73.5	73.5	73
G	71.5	72.5	73	73	73.5
H	69	69	69	69	69
I	400	400	400	400	400
J	50	50	50	50	50
K	1004	1006	1012	1021	1030
M	371.1	377.3	379.5	386.7	393.2
L	536.8	549.9	567	585.1	610.9
Tire	700*47C	700*47C	700*47C	700*47C	700*47C
	27.5*1.9	27.5*1.9	27.5*1.9	27.5*1.9	27.5*1.9