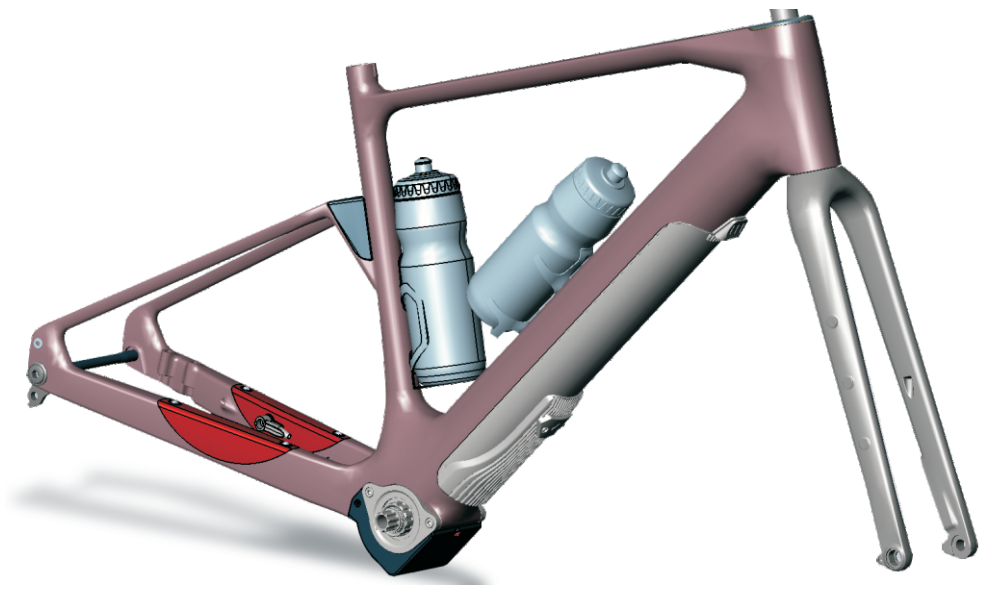
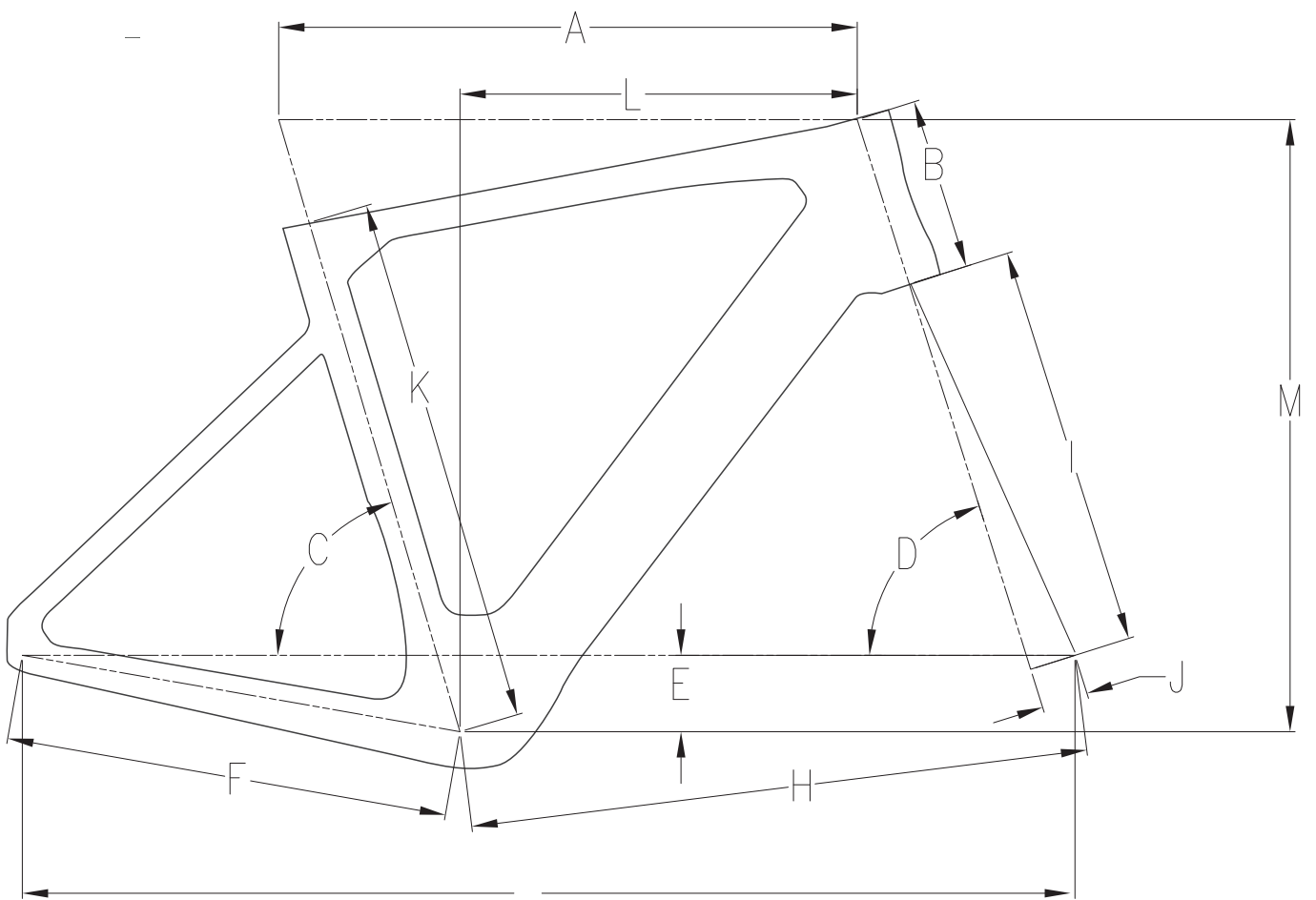


# EGR01

Material: Carbon Fiber HM  
 Size: 520/540/560/590mm  
 Head Tube: FSA NO.57  
 Front Travel: 0 & 60mm  
 Rear Travel: 10mm  
 Brake Rotor: 140mm  
 Tire: 700\*45C  
 Thru Axle: 12\*142mm  
 Frame Weight: 1.5KG  
 Laden Weight: 115KG



Motor: FAZUA RIDE 50 EVATION  
 Battery: FAZUA RIDE 50 EVATION



	Dimension	52	54	56	59
A	top tube length	537	560	583	600
B	head tube length	137	167	197	217
C	seat tube angle	74.5°	73.5°	72.5°	72.5°
D	head tube angle	71.5°	72.5°	72.5°	72.5°
E	BB drop	74	74	74	74
F	chain stay	430	430	430	430
G	wheel base	1015	1018	1030	1047
H	BB to front wheel	596	600	611	628
I	fork length	390	390	390	390
J	fork rake	45	45	45	45
K	seat tube total length	490	514	550	580
L	REACH	381.6	384.5	387.2	398.2
M	STACK	560.3	592.5	621.1	640